

Vibration Table

Dehaeze Thomas

April 8, 2021

Contents

- 1 Introduction** **3**
- 1.1 Suspended table 3

1 Introduction

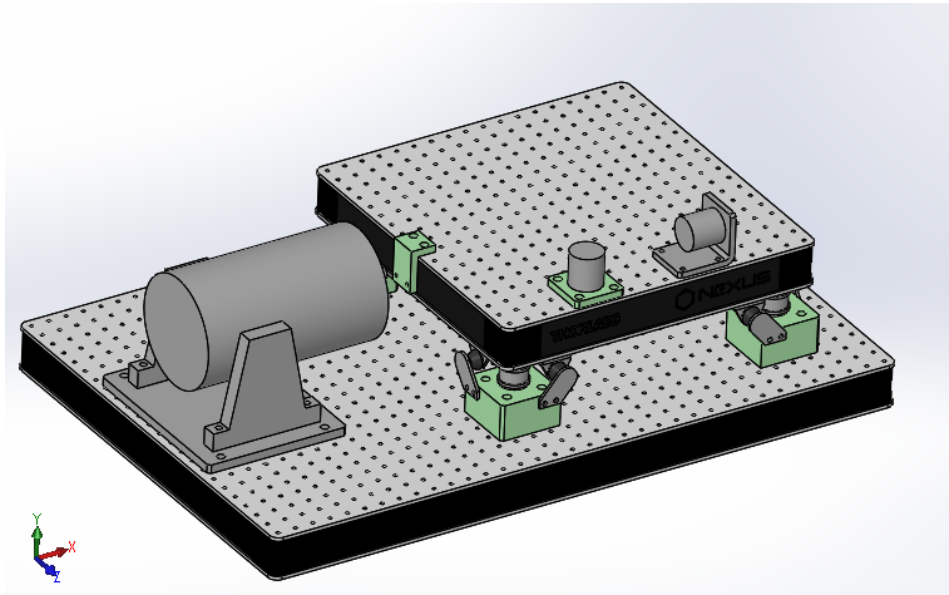


Figure 1.1: CAD View of the vibration table

Note

Here are the documentation of the equipment used for this vibration table:

- Modal Shaker: Watson and Gearing
- Inertial Shaker: [IS20](#)
- Viscoelastic supports: [810002](#)
- Spring supports: [MV803-12CC](#)
- Optical Table: [B4545A](#)

1.1 Suspended table

Dimensions 450 mm x 450 mm x 60 mm

Mass 21.30 kg

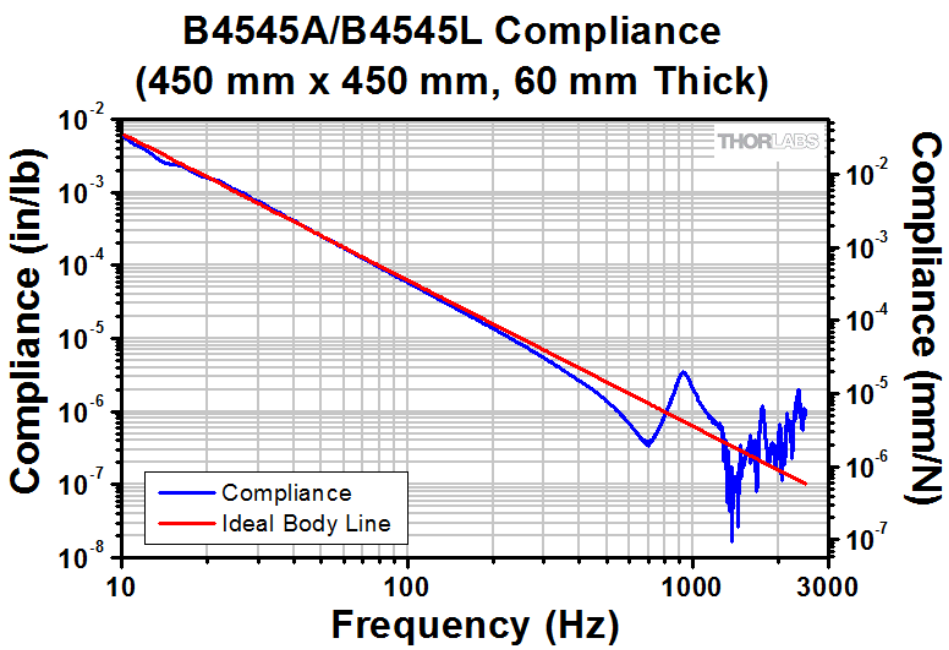


Figure 1.2: Compliance of the B4545A optical table