

## Air Bearing

MAX. AXIAL LOAD	N	804
MAX. RADIAL LOAD	N	452
AXIAL STIFFNESS	N/μm*	402
RADIAL STIFFNESS	N/μm*	226
TILT STIFFNESS	Nm/mrad*	2380
RAD. ERR. MOTION	nm LSC***	< 100
AXIAL ERR. MOTION	nm LSC***	< 50
WOBBLE	arcsec	typical**
AIR CONSUMPTION	NL/min	< 15
TOTAL MASS	kg	16,5
ANGULAR ACCURACY	arcsec	± 4,0
MATERIAL		coated aluminium

## Motor & Encoder

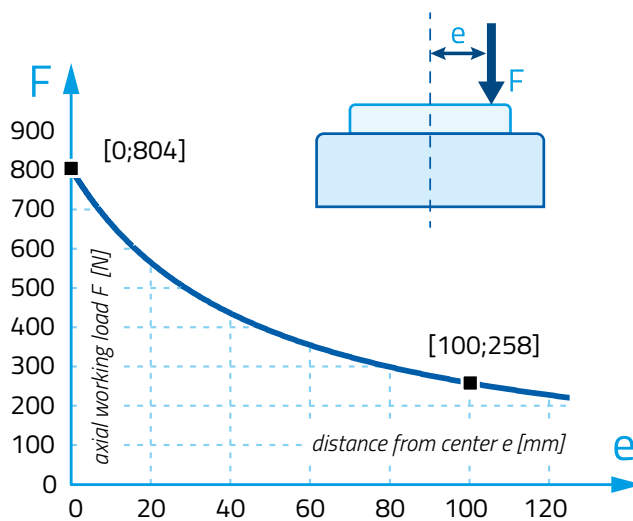
NOMINAL TORQUE	Nm	1,5
PEAK TORQUE	Nm	4,5
MAX. SPEED	rpm	100 - 200
ENCODER	periods	40000
ENCODER RESOLUTION	arcsec	go to p. 11
REPEATABILITY	arcsec	resolution x2

# RT250S

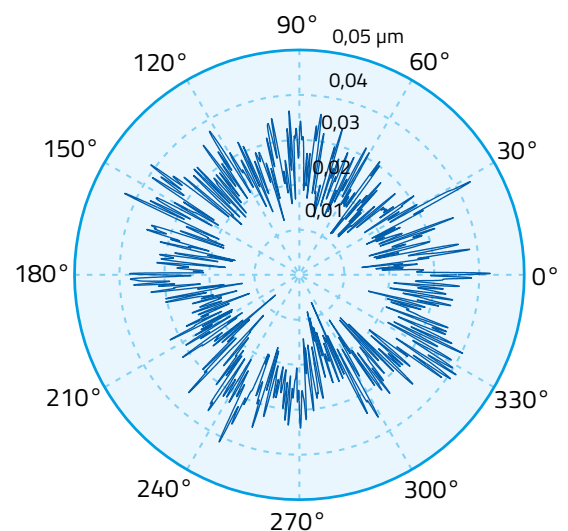
All data valid at 5 bar air pressure.

- \* Tolerance on value +/- 20%
- \*\* Measurement report of the wobble error motion can be provided on request.

\*\*\* Error motion measured on spherical artefact with center at 146 mm above top surface.

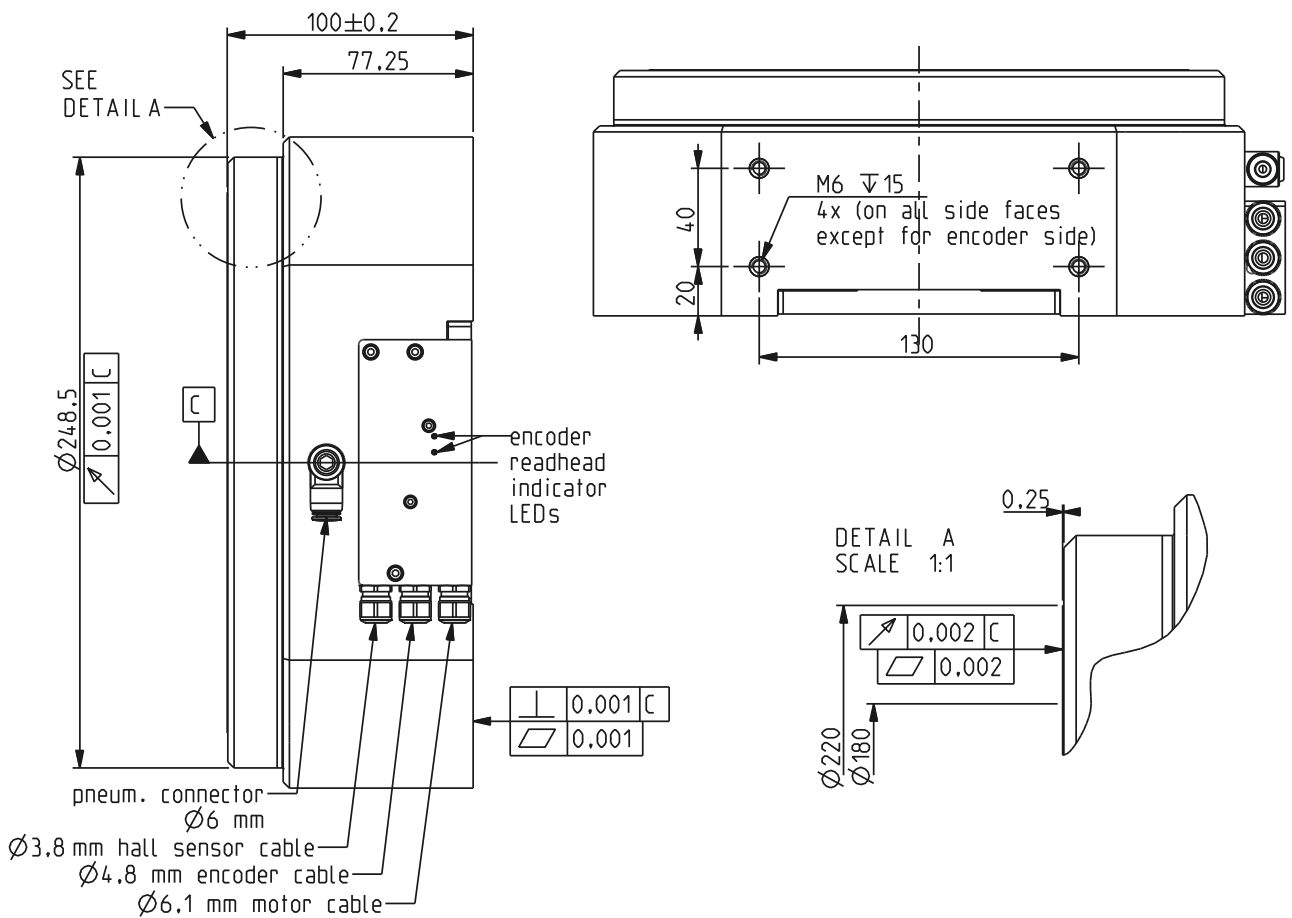
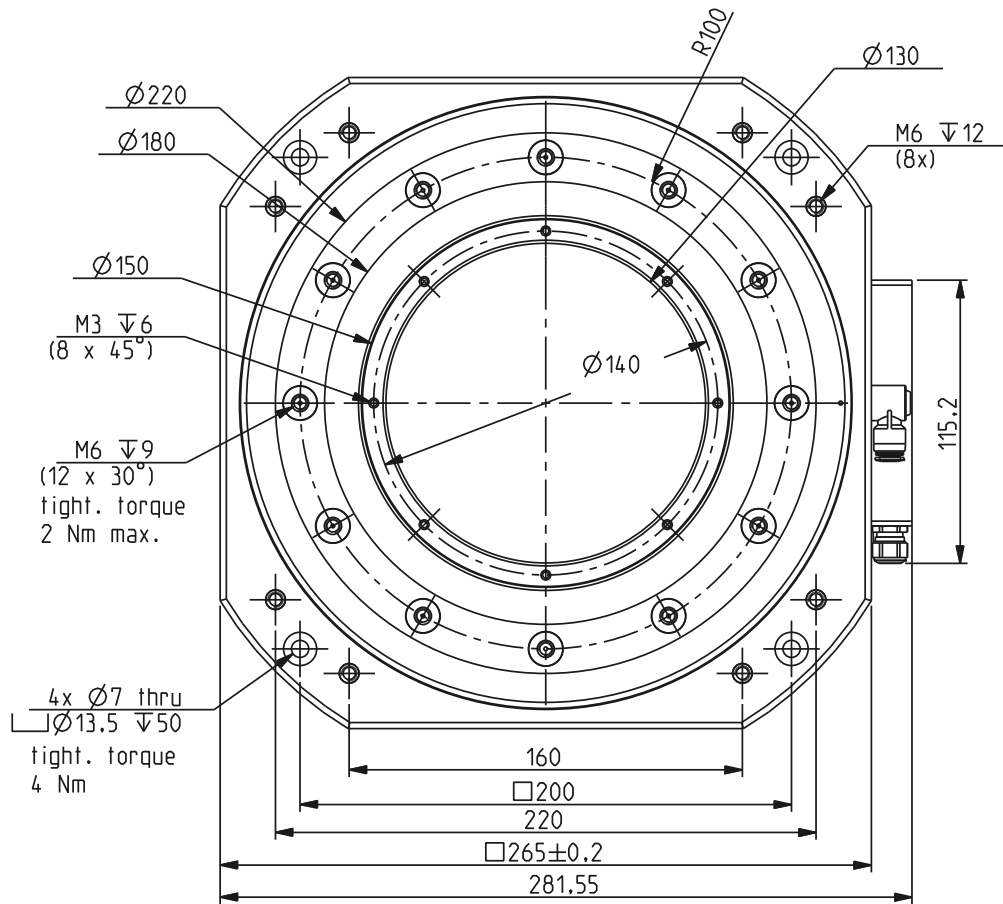


Max. working load vs. eccentricity



Roundness

error motion (typical value): LSC Δr = 36,6 nm  
filter: 360 UPR, 1 revolution (9,6 rpm)



Supply voltage 48 V DC only.

Required flatness for mounting surfaces is 1  $\mu$ m (rotor and stator).

Contact LAB Motion Systems support for advice on side-mounting requirements.