

# Nano-Hexapod - Assembly

Dehaeze Thomas

June 15, 2021

# Contents

- 1 Mounting Goals** **3**
- 2 Mounting Bench** **6**
- 3 Mounting Procedure** **8**
  - 3.1 With Encoders on the Struts . . . . . 8
  - 3.2 With Encoders on the Plates . . . . . 8
- 4 Nano-Hexapod Mounting** **9**
  - 4.1 Plates . . . . . 9
  - 4.2 Mounting Tool . . . . . 9
  - 4.3 Mounted Hexapod . . . . . 9

# 1 Mounting Goals

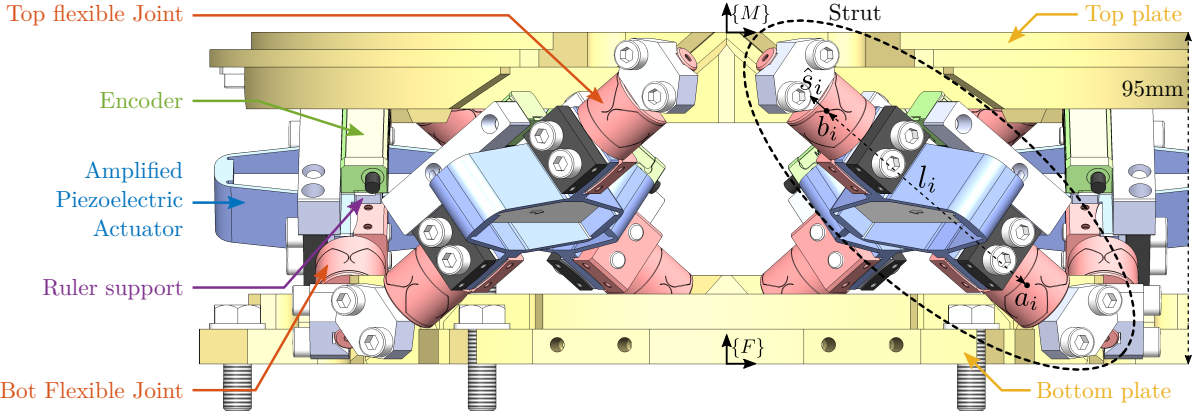


Figure 1.1: Received top and bottom nano-hexapod's plates

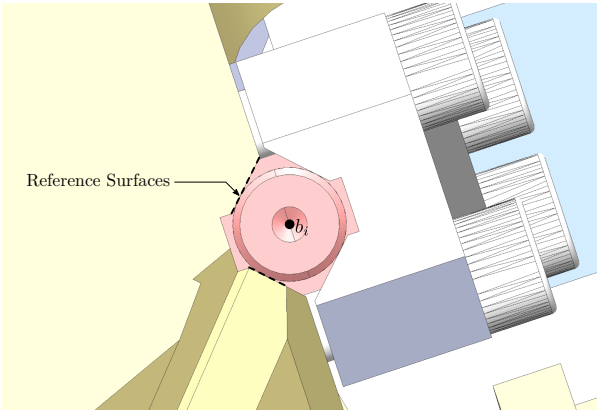
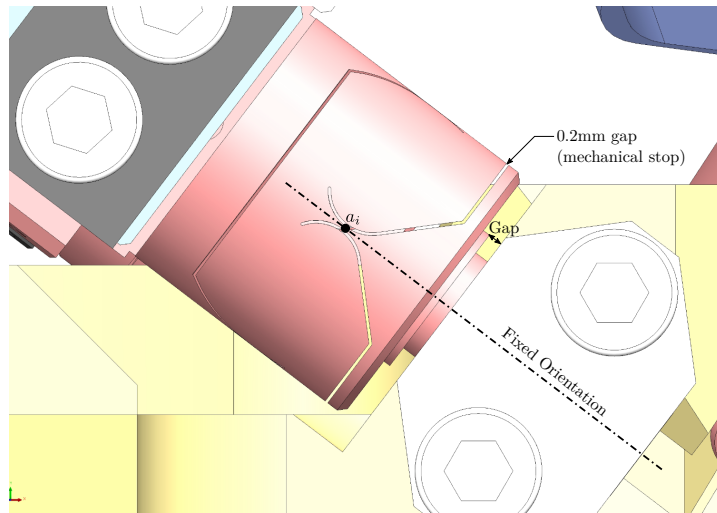
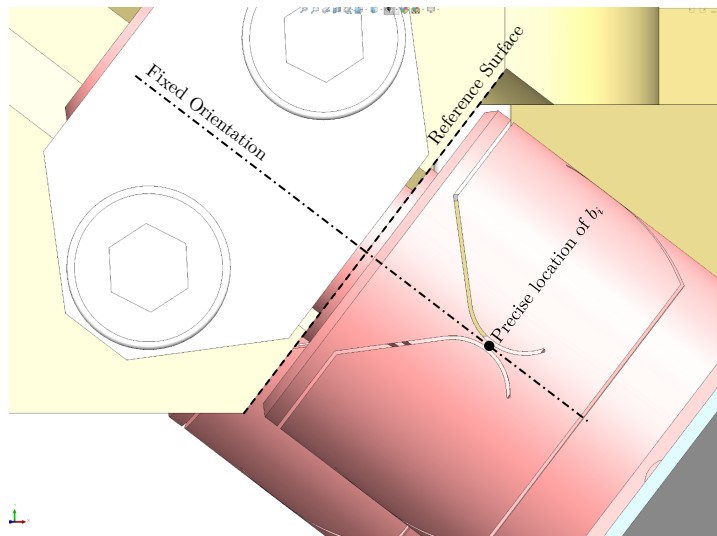


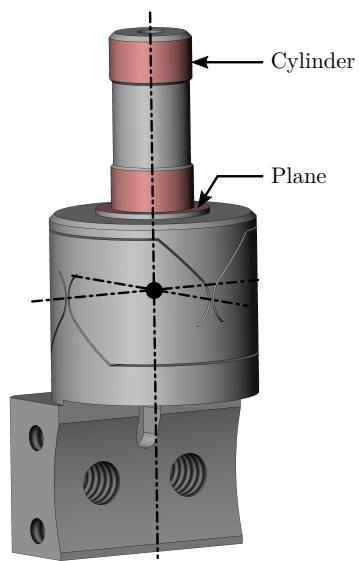
Figure 1.2: Received top and bottom nano-hexapod's plates



**Figure 1.3:** Received top and bottom nano-hexapod's plates

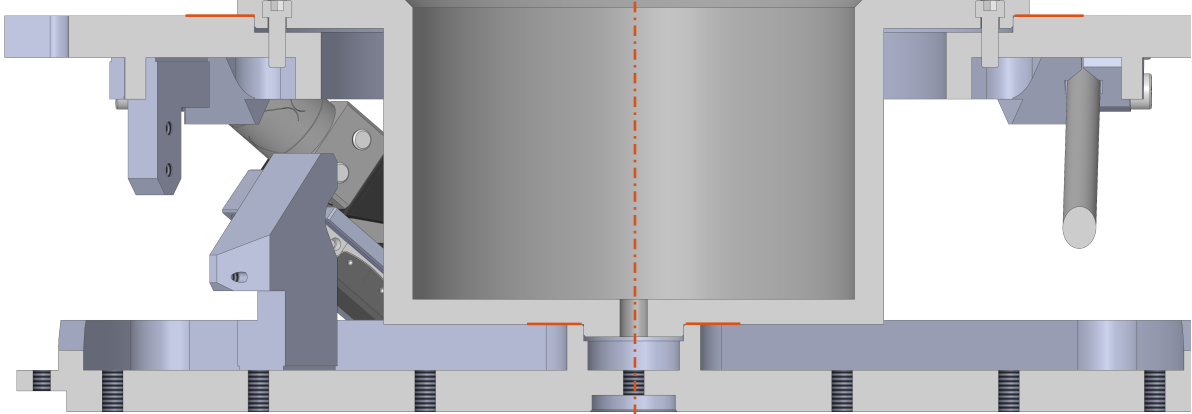


**Figure 1.4:** Received top and bottom nano-hexapod's plates

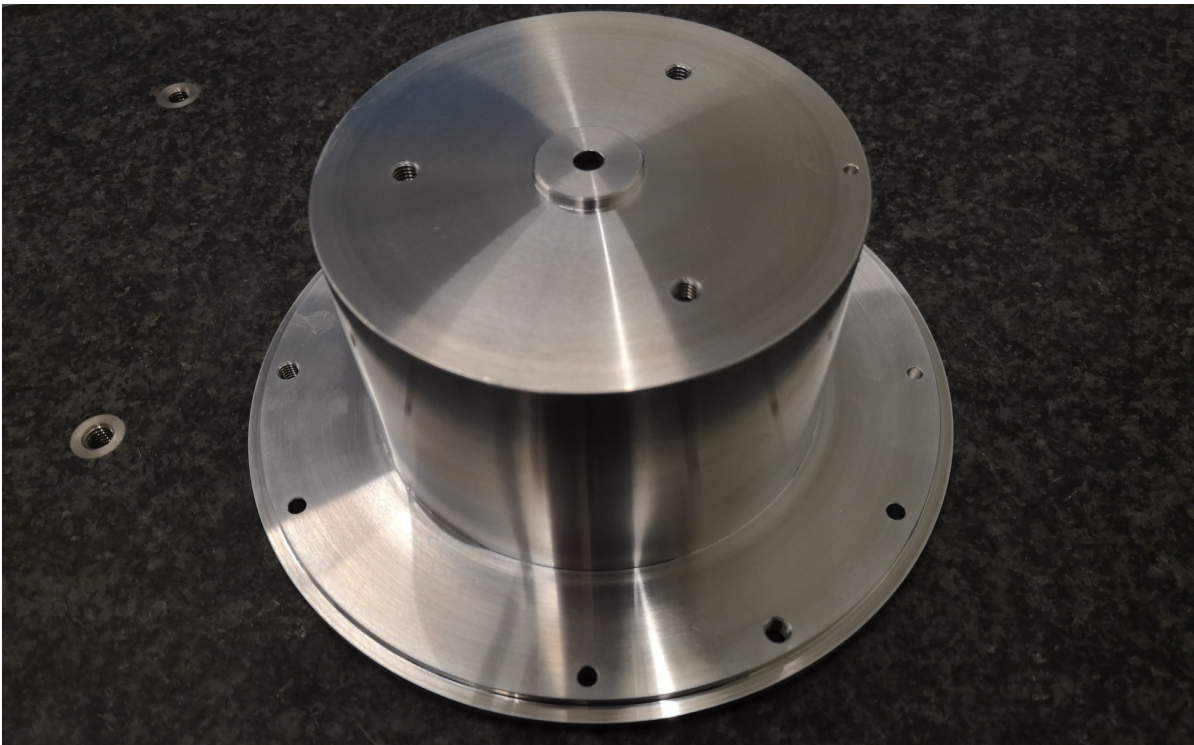


**Figure 1.5:** Received top and bottom nano-hexapod's plates

# 2 Mounting Bench



**Figure 2.1:** Received top and bottom nano-hexapod's plates



**Figure 2.2:** Received top and bottom nano-hexapod's plates

## 3 Mounting Procedure

### 3.1 With Encoders on the Struts

1. Fix the bottom plate with the cylindrical tool
2. Put the top plate on the granite
3. Put the cylindrical tool and bottom plate on top of the top plate (Figure 4.3). This position the bottom plate with respect to the top plate in X, Y, Z, Rx, Ry
4. Put the pin to position/fix the Rz. Now the two plates should be position and clamped together
5. Fix the 6 struts
6. Remove the pin and the tool
7. Put the nano-hexapod in place

### 3.2 With Encoders on the Plates



## 4 Nano-Hexapod Mounting

### 4.1 Plates

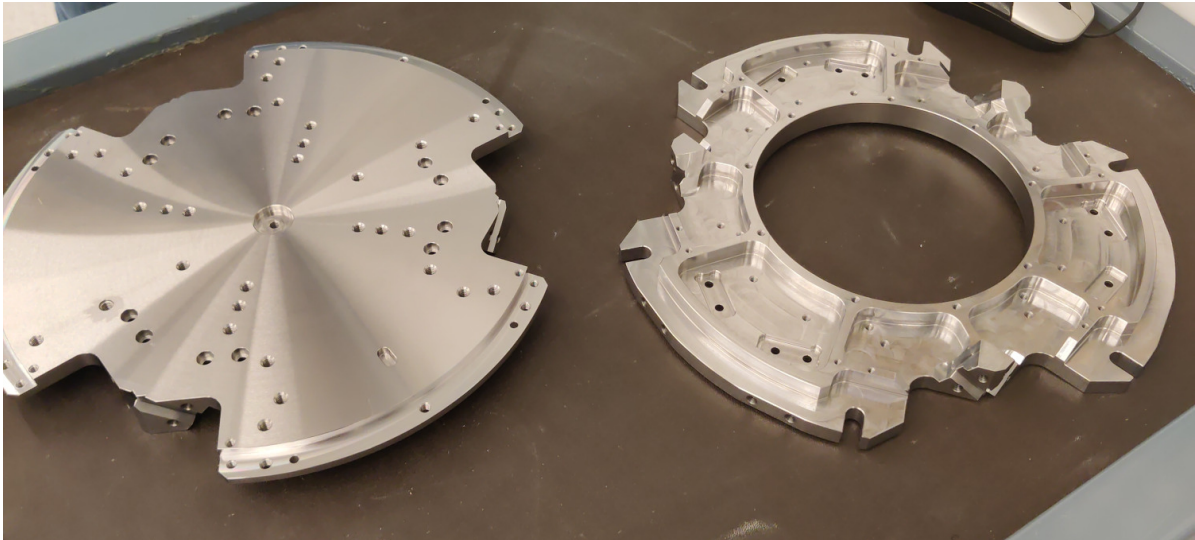
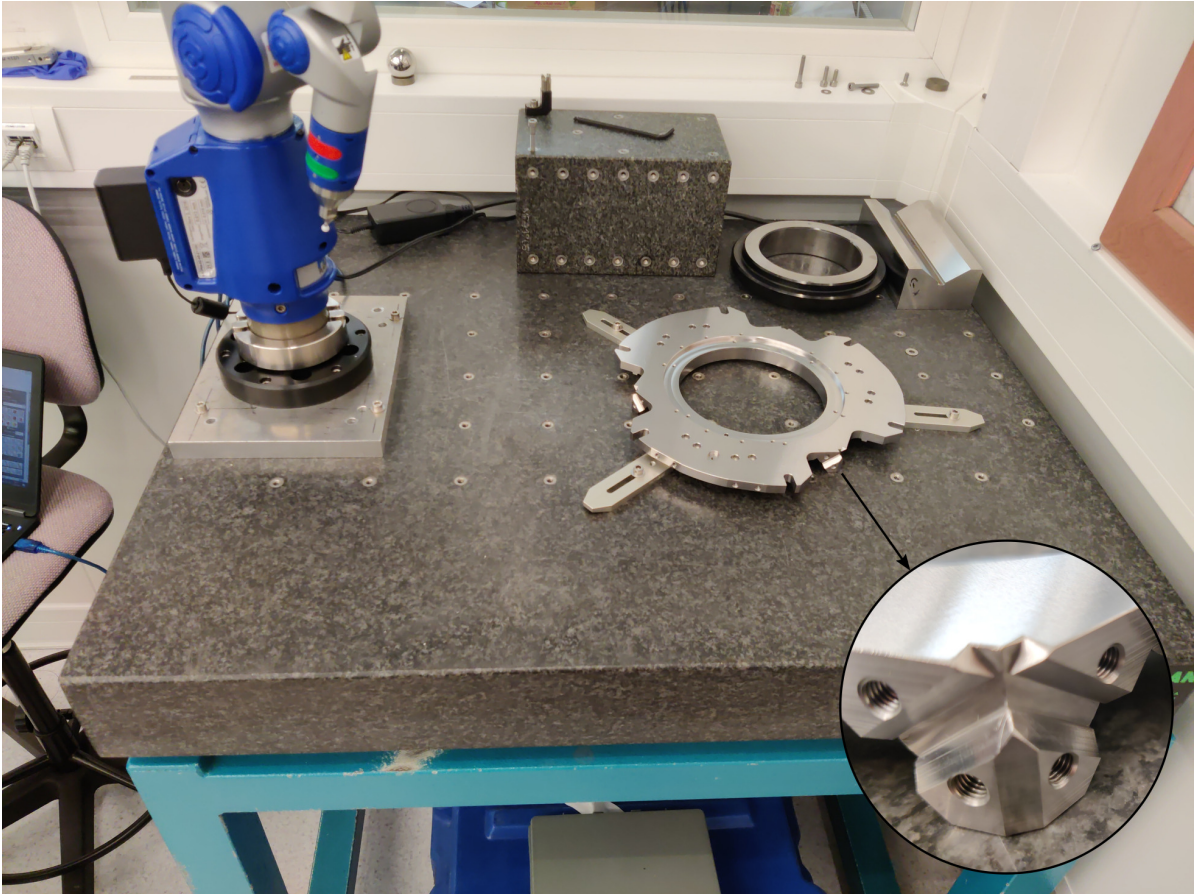


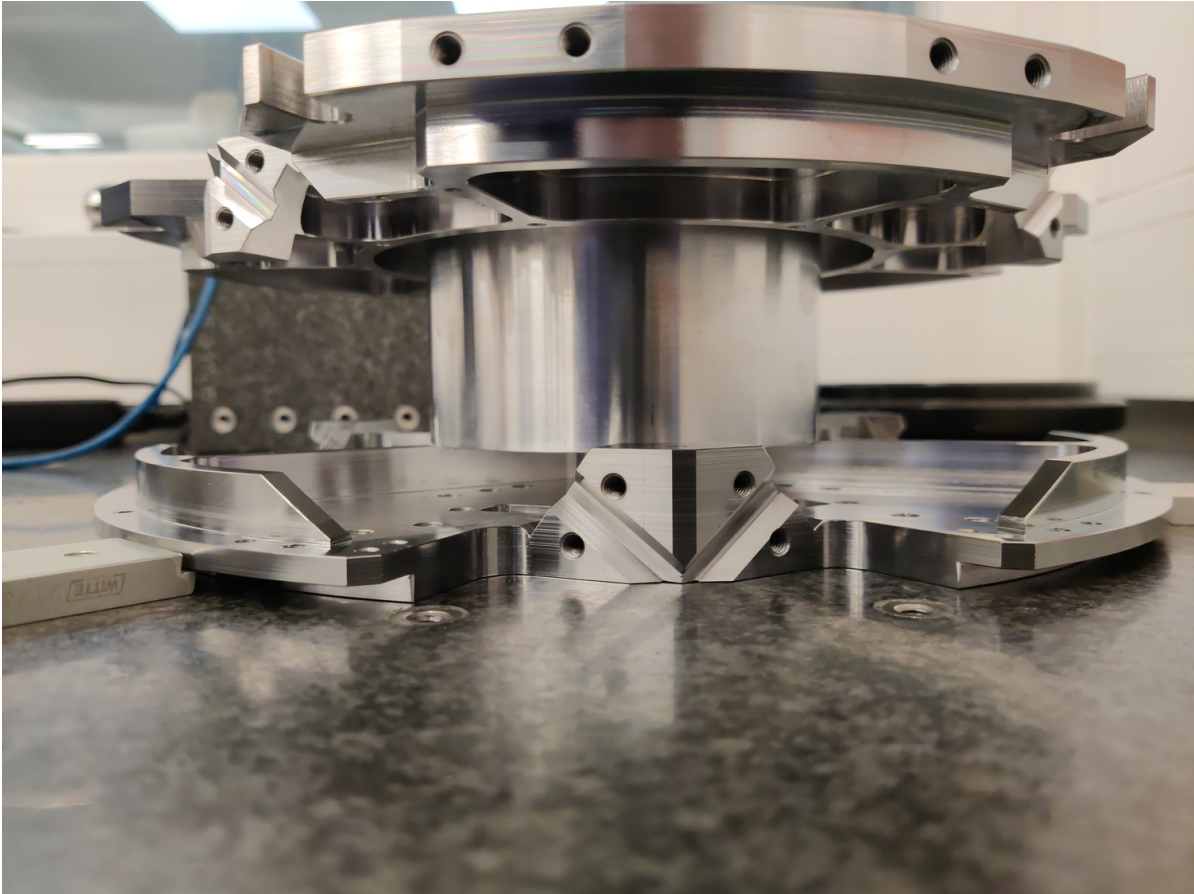
Figure 4.1: Received top and bottom nano-hexapod's plates

### 4.2 Mounting Tool

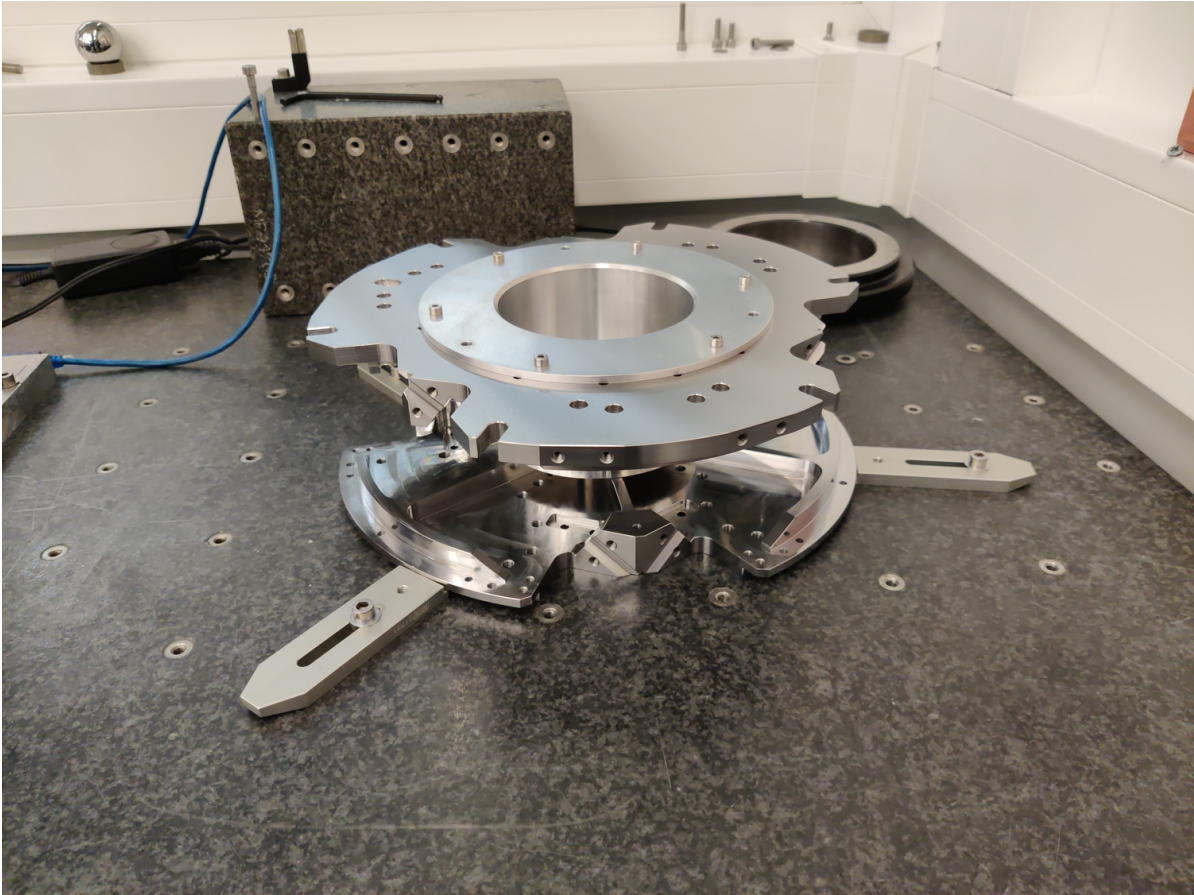
### 4.3 Mounted Hexapod



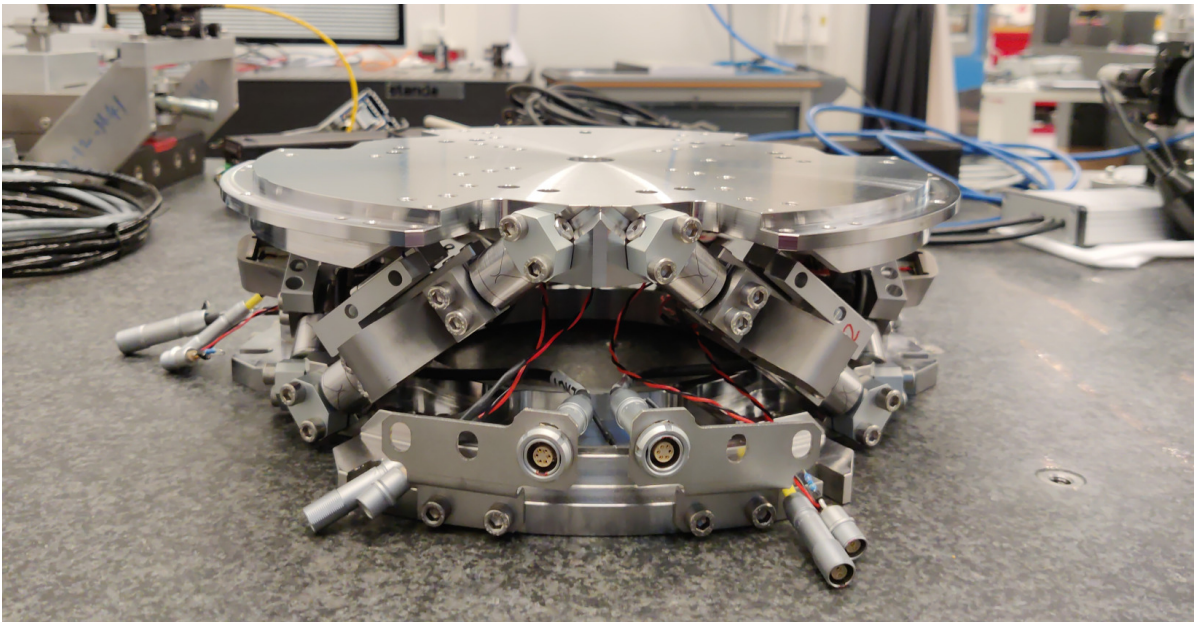
**Figure 4.2:** Bottom plate on the measurement granite (FARO arm). Zoom on the main feature of the plate



**Figure 4.3:** Bottom and top plates mounted together with the special tool



**Figure 4.4:** Bottom and top plates mounted together with the special tool (top view)



**Figure 4.5:** Mounted Nano-Hexapod