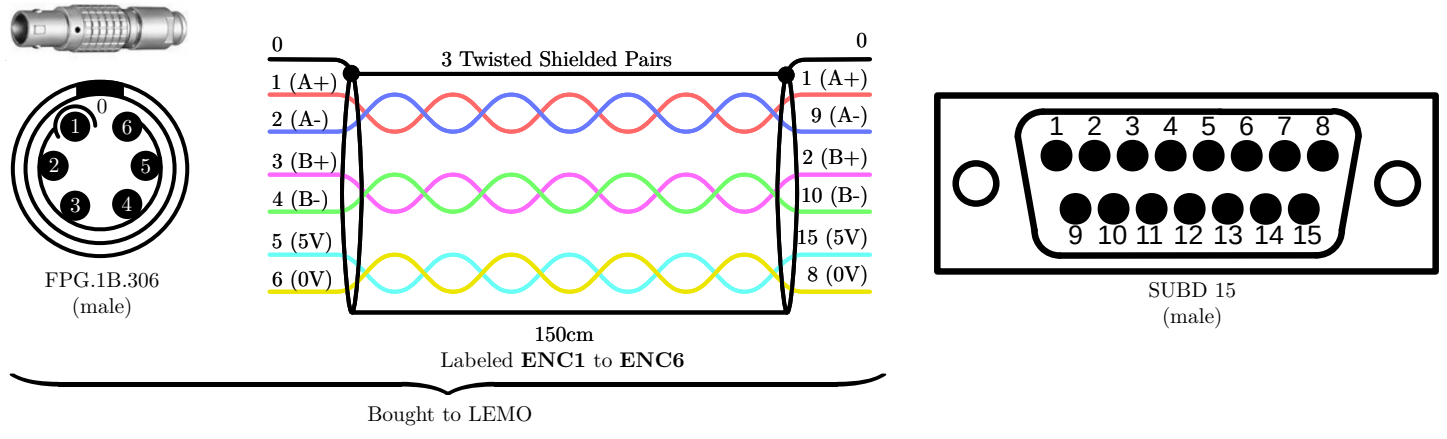
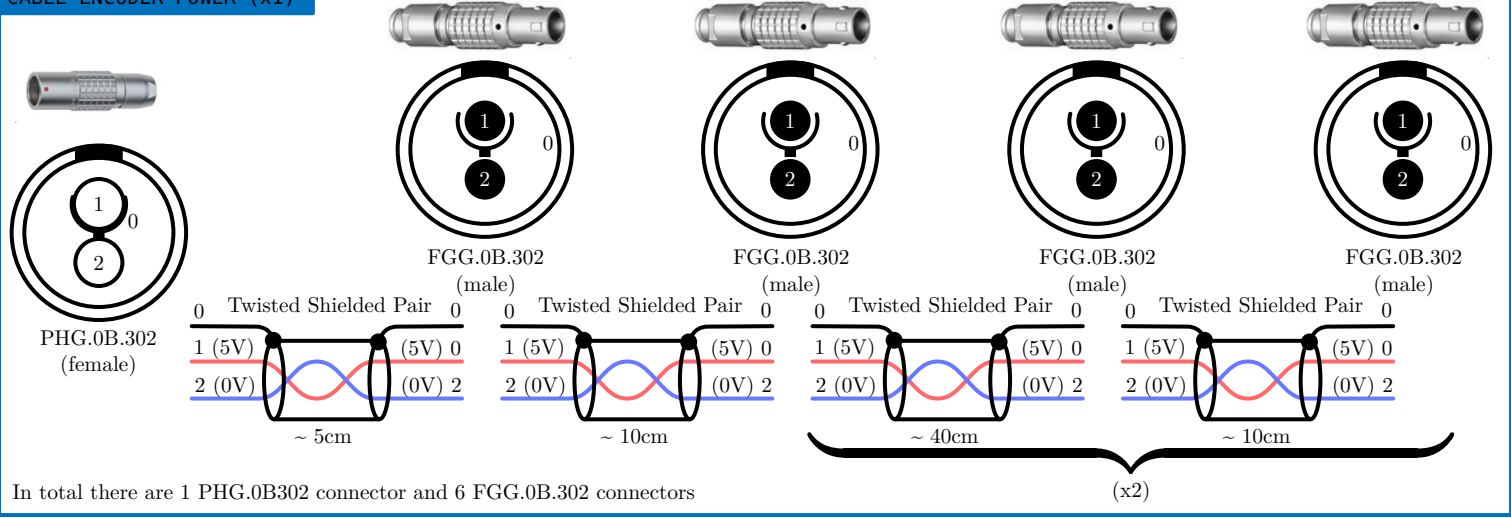


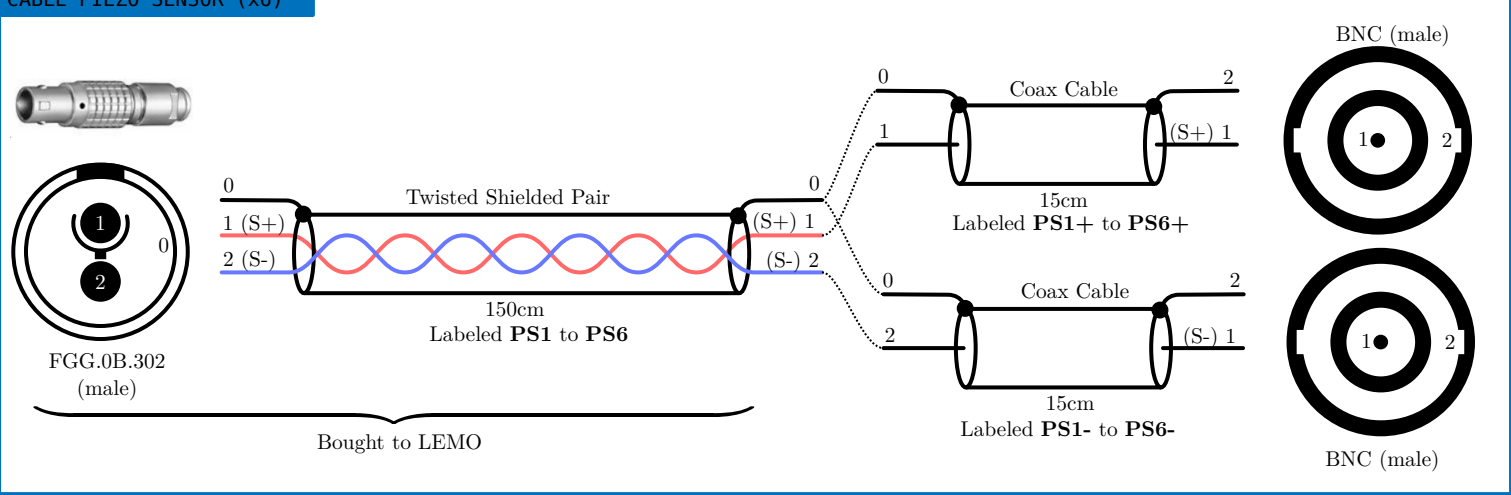
**CABLE ENCODER SIGNAL (x6)**



**CABLE ENCODER POWER (x1)**



**CABLE PIEZO SENSOR (x6)**



**CABLE PIEZO ACTUATOR (x6)**

