

Cabling of the NASS

Dehaeze Thomas

June 15, 2021

Contents

- 1 Piezoelectric Actuator, Piezoelectric Sensor and Encoder 3
- 2 Slip-Ring 4
- 3 Cables used to connect equipment 5
- 4 Test Bench - Granite 7
- 5 Test Bench - Slip-Ring 8

1 Piezoelectric Actuator, Piezoelectric Sensor and Encoder

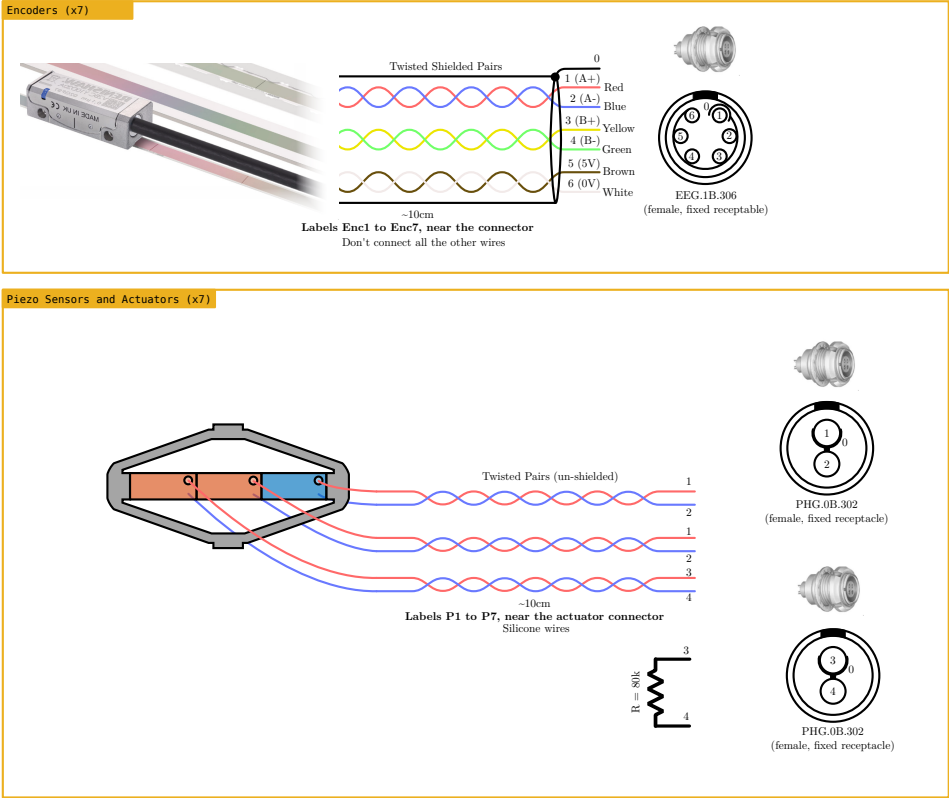


Figure 1.1: Figure caption

2 Slip-Ring

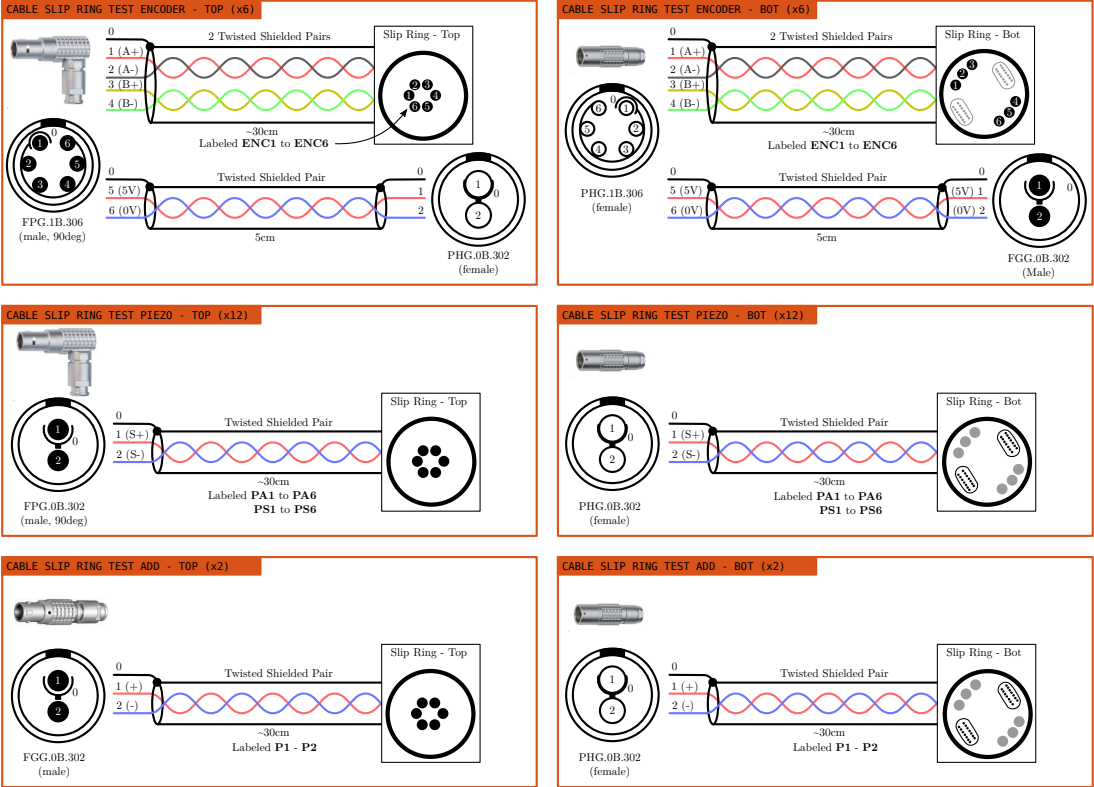


Figure 2.1: Figure caption

3 Cables used to connect equipment

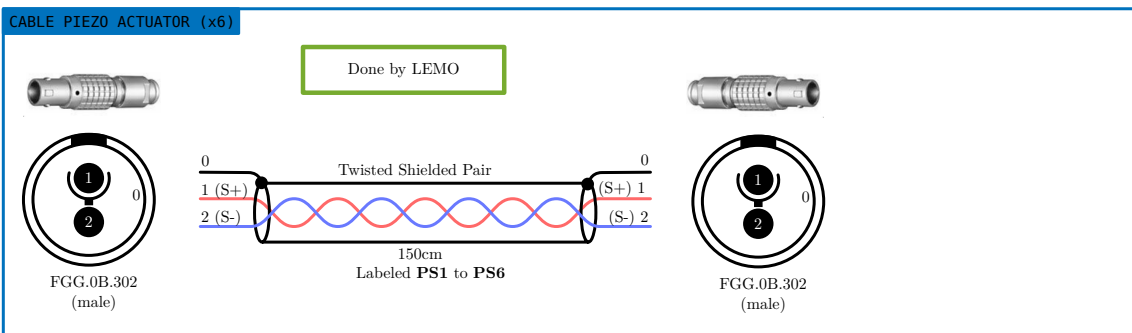
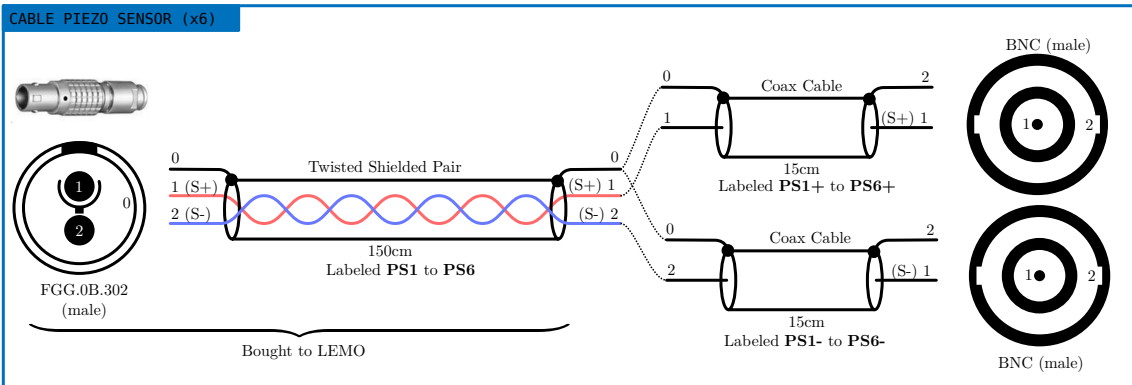
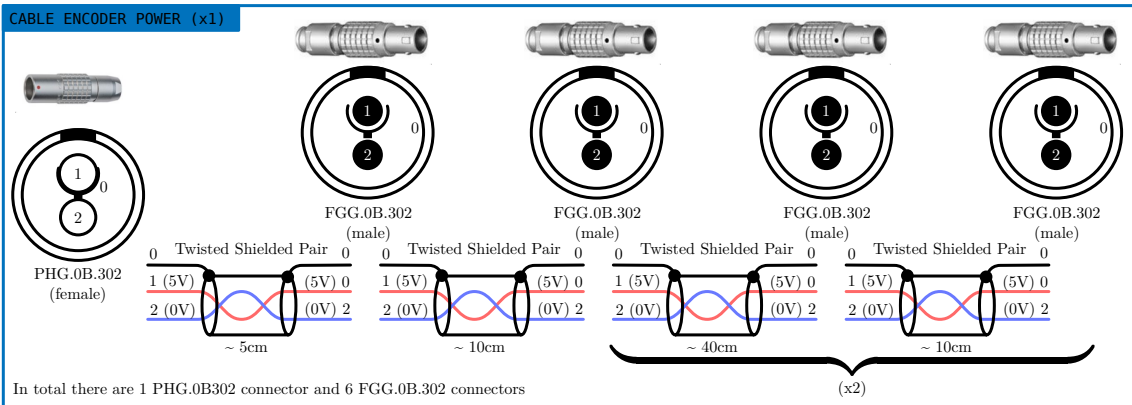
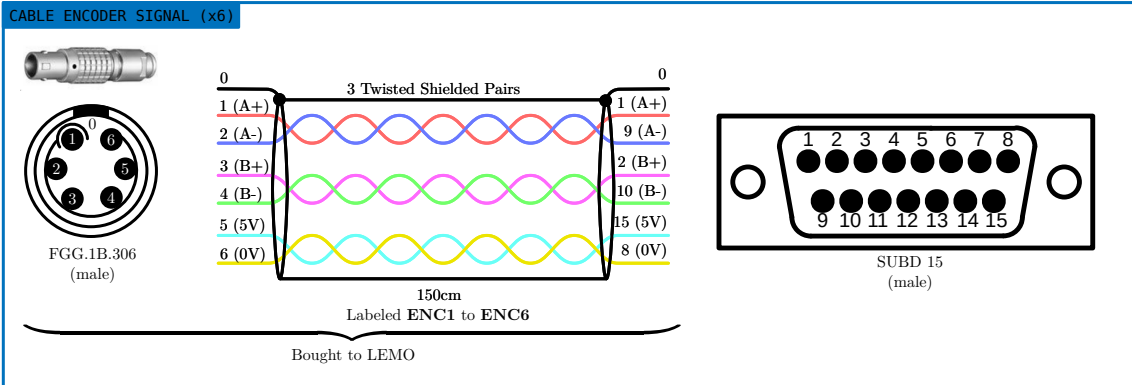


Figure 3.1: Figure caption

4 Test Bench - Granite

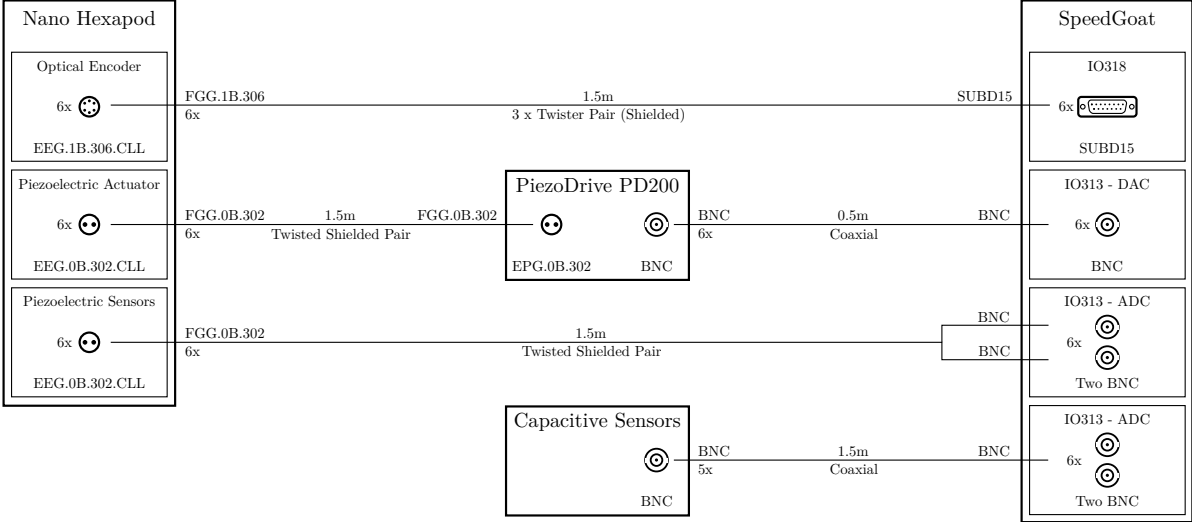


Figure 4.1: Figure caption

5 Test Bench - Slip-Ring

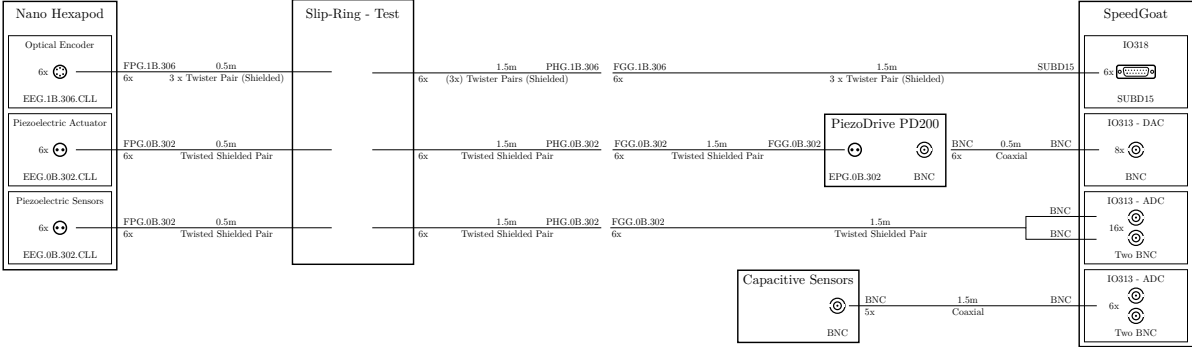


Figure 5.1: Figure caption