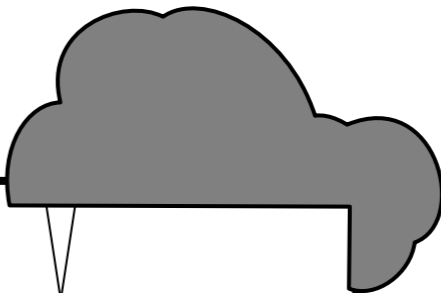
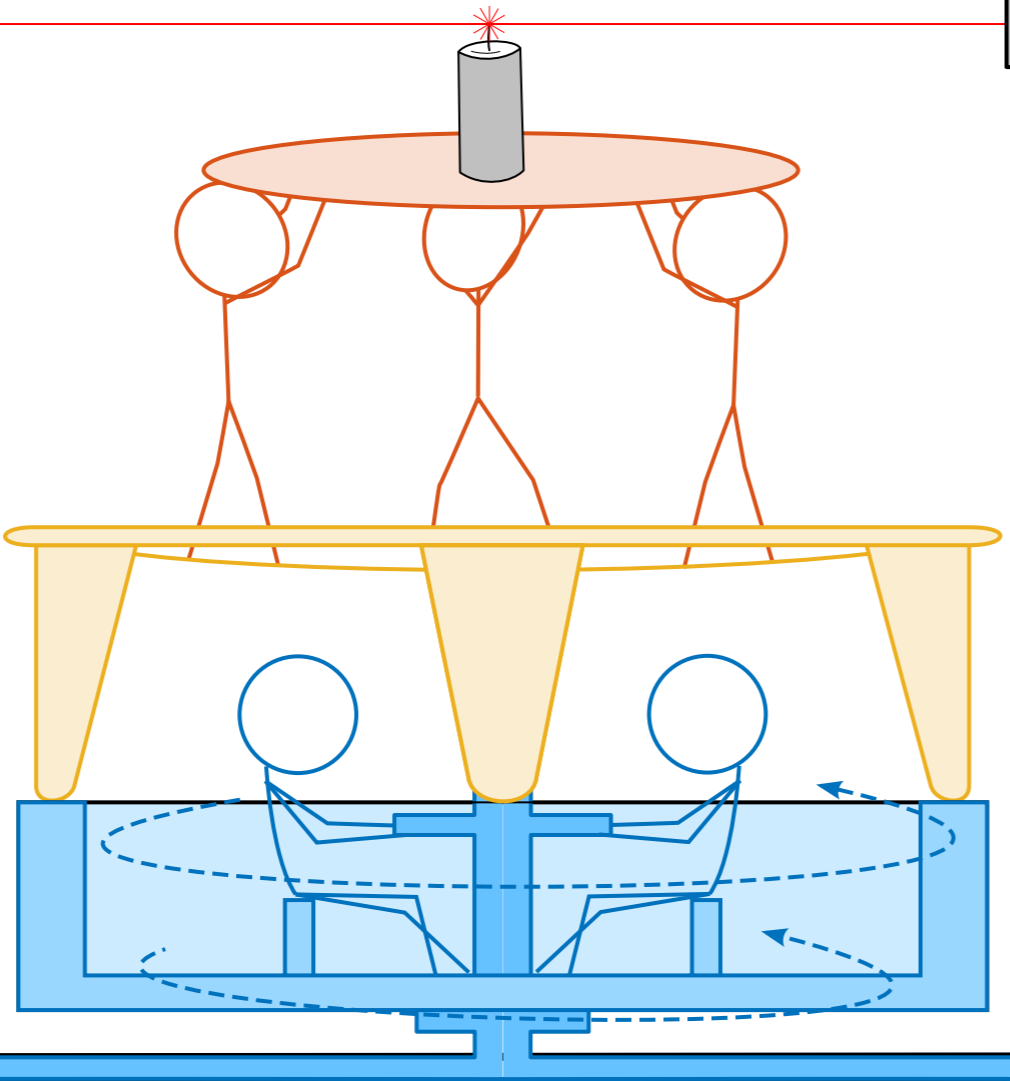


Objective

Keep the candle wick on the LASER for one minute

Challenges

- Required precision
- High level of disturbances
- Support limited reaction
- Rotation
- Sensors and Actuators are not in the same Frame



Analogies	
Room	Granite
Laser	X-ray
3 peoples	Nano-Hexapod
Candle	Sample
Crappy Road	Disturbances
Trampoline	u-Station compliance
"Tourniquet"	Spindle
Peoples looking	Metrology

