

# Robust and Optimal Sensor Fusion

Dehaeze Thomas  
 European Synchrotron Radiation Facility  
 Grenoble, France  
 Precision Mechatronics Laboratory  
 University of Liege, Belgium  
 thomas.dehaeze@esrf.fr

Collette Christophe  
 BEAMS Department  
 Free University of Brussels, Belgium  
 Precision Mechatronics Laboratory  
 University of Liege, Belgium  
 ccollett@ulb.ac.be

**Abstract**—Abstract text to be done

**Index Terms**—Complementary Filters, Sensor Fusion, H-Infinity Synthesis

## I. INTRODUCTION

## II. OPTIMAL SUPER SENSOR NOISE: $\mathcal{H}_2$ SYNTHESIS

### A. Sensor Model

### B. Sensor Fusion Architecture

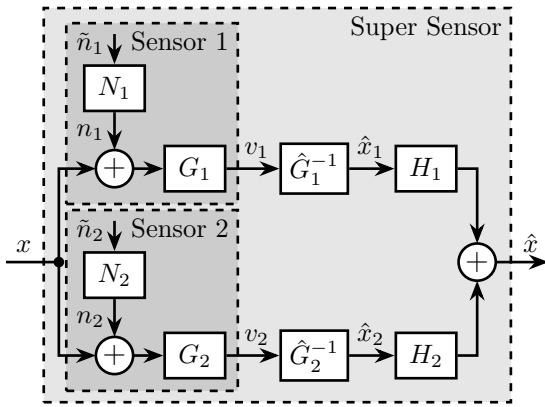


Fig. 1. Figure caption

Let note  $\Phi$  the PSD.  $\tilde{n}_1$  and  $\tilde{n}_2$  are white noise with unitary power spectral density:

$$\Phi_{\tilde{n}_i}(\omega) = 1 \quad (1)$$

$$\hat{x} = (H_1 \hat{G}_1^{-1} G_1 + H_2 \hat{G}_2^{-1} G_2) x + (H_1 \hat{G}_1^{-1} N_1) \tilde{n}_1 + (H_2 \hat{G}_2^{-1} N_2) \tilde{n}_2 \quad (2)$$

Suppose the sensor dynamical model  $\hat{G}_i$  is perfect:

$$\hat{G}_i = G_i \quad (3)$$

Complementary Filters

$$H_1(s) + H_2(s) = 1 \quad (4)$$

$$\hat{x} = x + (H_1 \hat{G}_1^{-1} N_1) \tilde{n}_1 + (H_2 \hat{G}_2^{-1} N_2) \tilde{n}_2 \quad (5)$$

Perfect dynamics + filter noise

### C. Super Sensor Noise

Let's note  $n$  the super sensor noise.

Its PSD is determined by:

$$\Phi_n(\omega) = |H_1 \hat{G}_1^{-1} N_1|^2 + |H_2 \hat{G}_2^{-1} N_2|^2 \quad (6)$$

### D. $\mathcal{H}_2$ Synthesis of Complementary Filters

The goal is to design  $H_1(s)$  and  $H_2(s)$  such that the effect of the noise sources  $\tilde{n}_1$  and  $\tilde{n}_2$  has the smallest possible effect on the noise  $n$  of the estimation  $\hat{x}$ .

And the goal is the minimize the Root Mean Square (RMS) value of  $n$ :

$$\sigma_n = \sqrt{\int_0^\infty \Phi_{\tilde{n}}(\omega) d\omega} = \left\| \begin{bmatrix} \hat{G}_1^{-1} N_1 H_1 \\ \hat{G}_2^{-1} N_2 H_2 \end{bmatrix} \right\|_2 \quad (7)$$

Thus, the goal is to design  $H_1(s)$  and  $H_2(s)$  such that  $H_1(s) + H_2(s) = 1$  and such that  $\left\| \begin{bmatrix} \hat{G}_1^{-1} N_1 H_1 \\ \hat{G}_2^{-1} N_2 H_2 \end{bmatrix} \right\|_2$  is minimized.

$$\begin{pmatrix} z_1 \\ z_2 \\ v \end{pmatrix} = \begin{bmatrix} \hat{G}_1^{-1} N_1 & -\hat{G}_1^{-1} N_1 \\ 0 & \hat{G}_2^{-1} N_2 \\ 1 & 0 \end{bmatrix} \begin{pmatrix} w \\ u \end{pmatrix} \quad (8)$$

The  $\mathcal{H}_2$  synthesis of the complementary filters thus minimized the RMS value of the super sensor noise.

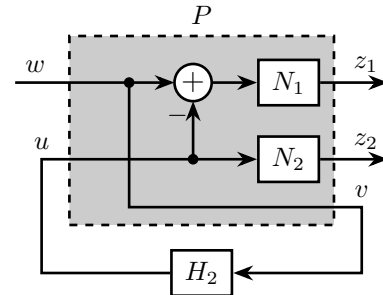


Fig. 2. Figure caption

E. Example

F. Robustness Problem

III. ROBUST SENSOR FUSION:  $\mathcal{H}_\infty$  SYNTHESIS

A. Representation of Sensor Dynamical Uncertainty

B. Sensor Fusion Architecture

$$\hat{x} = \left( H_1 \hat{G}_1^{-1} (1 + w_1 \Delta_1) G_1 + H_2 \hat{G}_2^{-1} (1 + w_2 \Delta_2) G_2 \right) x \quad (9)$$

with  $\Delta_i$  is any transfer function satisfying  $\|\Delta_i\|_\infty < 1$ .

Suppose the model inversion is equal to the nominal model:

$$\hat{G}_i = G_i \quad (10)$$

$$\hat{x} = (1 + H_1 w_1 \Delta_1 + H_2 w_2 \Delta_2) x \quad (11)$$

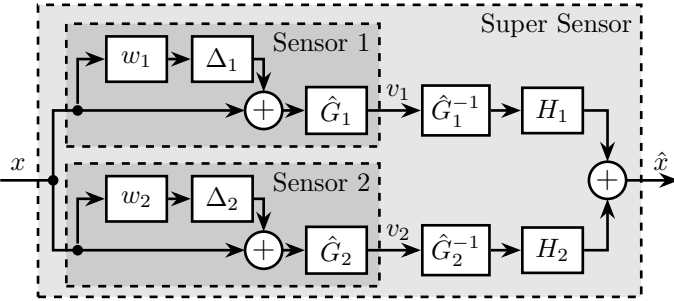


Fig. 3. Figure caption

C. Super Sensor Dynamical Uncertainty

The uncertainty set of the transfer function from  $\hat{x}$  to  $x$  at frequency  $\omega$  is bounded in the complex plane by a circle centered on 1 and with a radius equal to  $|w_1(j\omega)H_1(j\omega)| + |w_2(j\omega)H_2(j\omega)|$ .

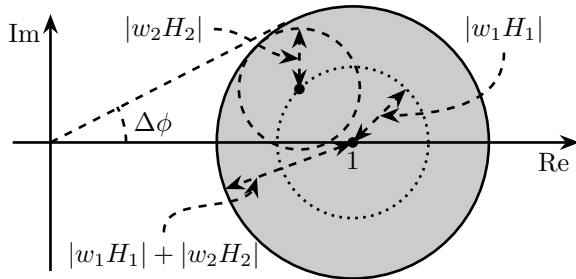


Fig. 4. Figure caption

D.  $\mathcal{H}_\infty$  Synthesis of Complementary Filters

In order to minimize the super sensor dynamical uncertainty

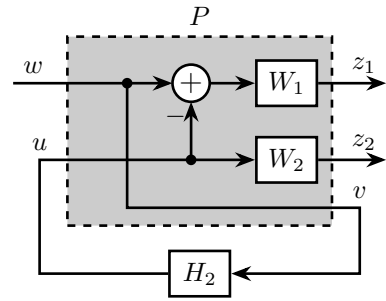


Fig. 5. Figure caption

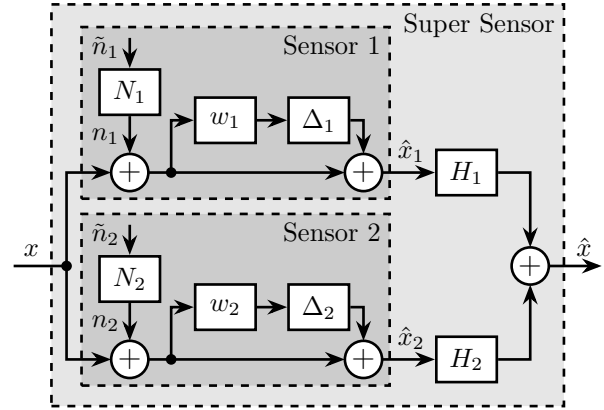


Fig. 6. Figure caption

E. Example

IV. OPTIMAL AND ROBUST SENSOR FUSION: MIXED  $\mathcal{H}_2/\mathcal{H}_\infty$  SYNTHESIS

A. Sensor Fusion Architecture

B. Synthesis Objective

C. Mixed  $\mathcal{H}_2/\mathcal{H}_\infty$  Synthesis

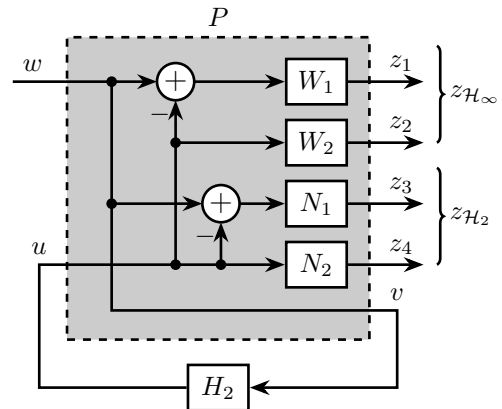


Fig. 7. Figure caption

#### D. Example

### V. EXPERIMENTAL VALIDATION

#### A. Experimental Setup

#### B. Sensor Noise and Dynamical Uncertainty

#### C. Mixed $\mathcal{H}_2/\mathcal{H}_\infty$ Synthesis

#### D. Super Sensor Noise and Dynamical Uncertainty

### VI. CONCLUSION

### VII. ACKNOWLEDGMENT

### REFERENCES

- [1] M. Zimmermann and W. Sulzer, "High bandwidth orientation measurement and control based on complementary filtering," *Robot Control* 1991, pp. 525–530, 1992. [Online]. Available: <https://doi.org/10.1016/b978-0-08-041276-4.50093-5>
- [2] P. Corke, "An inertial and visual sensing system for a small autonomous helicopter," *Journal of Robotic Systems*, vol. 21, no. 2, pp. 43–51, 2004. [Online]. Available: <https://doi.org/10.1002/rob.10127>
- [3] H. G. Min and E. T. Jeung, "Complementary filter design for angle estimation using mems accelerometer and gyroscope," *Department of Control and Instrumentation, Changwon National University, Changwon, Korea*, pp. 641–773, 2015.
- [4] F. Shaw and K. Srinivasan, "Bandwidth enhancement of position measurements using measured acceleration," *Mechanical Systems and Signal Processing*, vol. 4, no. 1, pp. 23–38, 1990. [Online]. Available: [https://doi.org/10.1016/0888-3270\(90\)90038-m](https://doi.org/10.1016/0888-3270(90)90038-m)
- [5] F. Matichard, B. Lantz, R. Mittleman, K. Mason, J. Kissel, B. Abbott, S. Biscans, J. McIver, R. Abbott, S. Abbott *et al.*, "Seismic isolation of advanced ligo: Review of strategy, instrumentation and performance," *Classical and Quantum Gravity*, vol. 32, no. 18, p. 185003, 2015.
- [6] W. Hua, D. B. Debra, C. T. Hardham, B. T. Lantz, and J. A. Giaime, "Polyphase fir complementary filters for control systems," in *Proceedings of ASPE Spring Topical Meeting on Control of Precision Systems*, 2004, pp. 109–114.
- [7] C. Collette and F. Matichard, "Sensor fusion methods for high performance active vibration isolation systems," *Journal of Sound and Vibration*, vol. 342, no. nil, pp. 1–21, 2015. [Online]. Available: <https://doi.org/10.1016/j.jsv.2015.01.006>
- [8] A. Jensen, C. Coopmans, and Y. Chen, "Basics and guidelines of complementary filters for small uas navigation," in *2013 International Conference on Unmanned Aircraft Systems (ICUAS)*, 5 2013, p. nil. [Online]. Available: <https://doi.org/10.1109/icuas.2013.6564726>
- [9] W. Hua, "Low frequency vibration isolation and alignment system for advanced ligo," Ph.D. dissertation, stanford university, 2005.
- [10] R. Mahony, T. Hamel, and J.-M. Pflimlin, "Nonlinear complementary filters on the special orthogonal group," *IEEE Transactions on Automatic Control*, vol. 53, no. 5, pp. 1203–1218, 2008. [Online]. Available: <https://doi.org/10.1109/tac.2008.923738>
- [11] A. Pascoal, I. Kaminer, and P. Oliveira, "Navigation system design using time-varying complementary filters," in *Guidance, Navigation, and Control Conference and Exhibit*, 1999, p. nil. [Online]. Available: <https://doi.org/10.2514/6.1999-4290>
- [12] R. G. Brown, "Integrated navigation systems and kalman filtering: a perspective," *Navigation*, vol. 19, no. 4, pp. 355–362, 1972. [Online]. Available: <https://doi.org/10.1002/j.2161-4296.1972.tb01706.x>